



Melody™ Vertical Sheers Installation Guide



We make it easy!

BTG 574731

CAEN Rev. 05-22

WARNING

STRANGULATION HAZARD: Young children can be strangled by cords. Immediately remove this product if a cord longer than 22 cm or a loop exceeding 44 cm around becomes accessible.

Melody™ valance installation *(only if ordered)*

Your Melody fabric-covered valance, if ordered, will have come partially assembled. The long, flat rod is made from two pieces that slide into each other beneath the fabric covering, making its length somewhat adjustable.

To complete the valance installation, please refer to the **4½" Wide Curtain Rod** assembly instructions included with the valance brackets.

Before starting

Your new Blinds To Go® vertical sheer blind is custom made to your specifications from the finest material available. The installation should be easy and the blind should fit beautifully.

Mounting options

Inside mount: Blind is mounted inside the window frame, either to the top of the frame or to the sides.

Outside mount: Blind is mounted either on or outside the window frame.

Side mount: Blind is mounted to the two sides of the window frame.

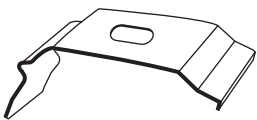
Note: Mounting screws provided are suitable for most mounting surfaces. Please see below for additional notes.

For wallboard or plaster: Use hollow wall anchors (included) for added support.

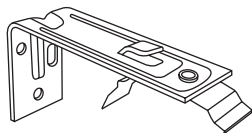
For concrete, stone, brick or tile: Use an appropriate drill bit and appropriate anchors before fastening the screws.

For metal surfaces: Pre-drill holes before fastening the screws.

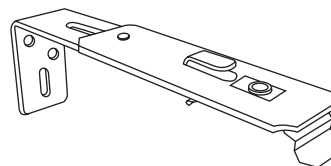
Parts



or



or



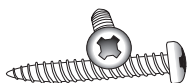
Mounting brackets
Quantity: 2 or more
depending on width of blind

Mounting brackets
Quantity: 2 or more
depending on width of blind

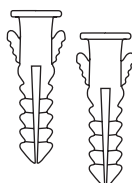
Mounting brackets
Quantity: 2 or more
depending on width of blind

Suggested tools

- Drill
- Level
- Pencil
- Screwdriver
- Tape measure



Mounting screws
Quantity: 2 per bracket



Anchors
Quantity: 2 per bracket

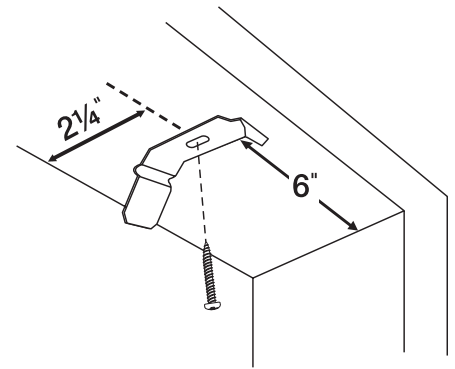
Getting started *(for most blinds, 2 people are required for the installation)*

Step 1. Mounting the brackets

Inside Mount

1. Position the brackets on the mounting surface, approximately 6" in from each end of the track, and at least 2 1/4" from the back of the frame. When more than two brackets are supplied, evenly space the additional brackets between the two end brackets. Mount with one screw per bracket.

Important: The bracket should be positioned so that the hole is at least 2 1/4" from the back wall and minimum 4 1/4" from the front of the valance.



Outside Mount and Side Mount

1. **First mark the position of the track.** Place track over area to be covered. Make sure to leave approximately 1/2" clearance at the bottom then mark the position of the track.
2. **Second, mark the position of the brackets.** Make a mark 1/4" above the first mark, allowing room for the bracket head (Fig. A). For **outside mount**, brackets should be positioned approximately 6" in from each end of the track. We recommend you use a level for this step. When more than two brackets are supplied, evenly space the additional brackets between the two end brackets.
3. Mount the brackets with the screws provided (Fig. B).

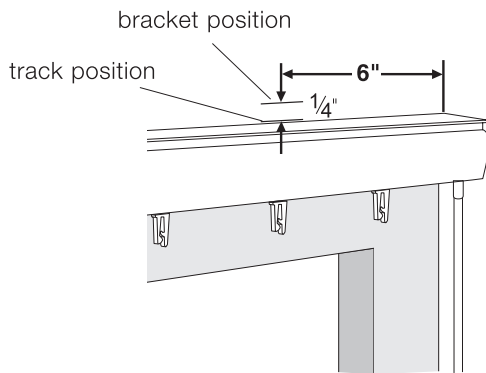


Fig. A

outside mount

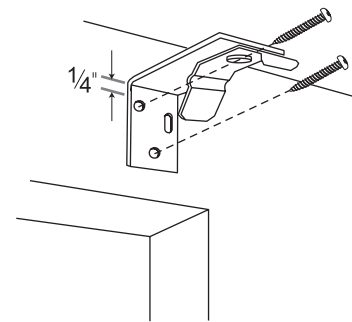


Fig. B

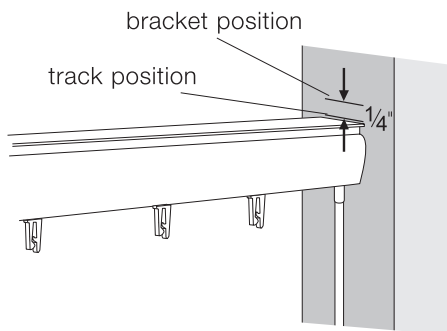


Fig. A

side mount

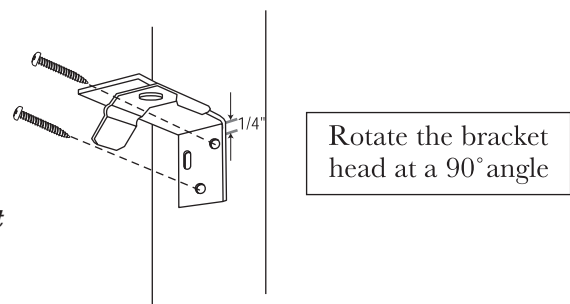
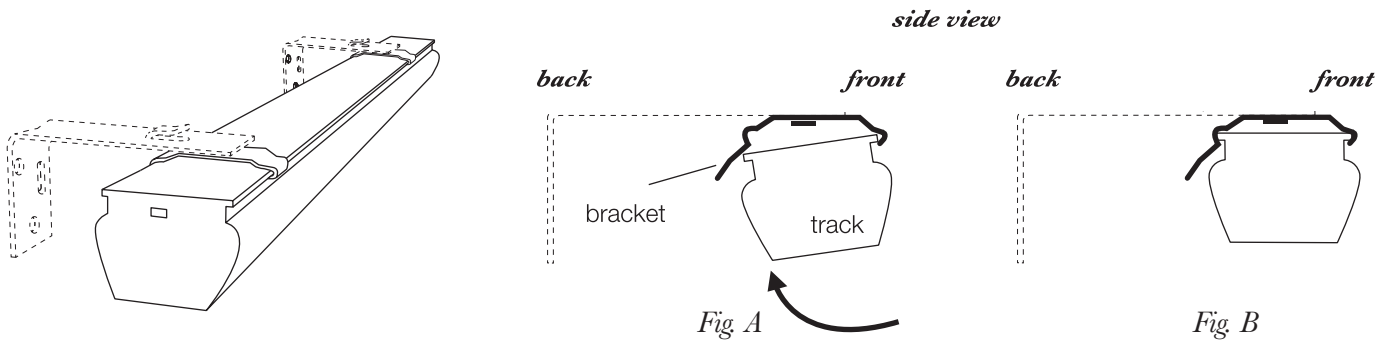


Fig. B

Step 2. Fitting the track into the brackets

1. Insert the front part of the bracket inside the top front groove of the track (Fig. A).
2. Push the back of the track upwards so that it snaps into the bracket (Fig. B).

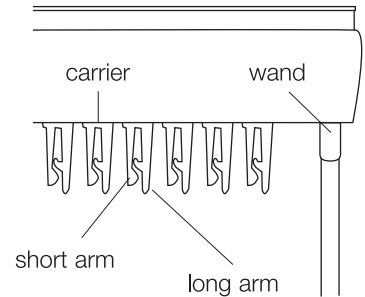
Note: The track is universal and can be installed with the wand on either the left or the right.



Step 3. Aligning/realigning the panel carriers

Note: The track comes with the carriers facing the **correct direction** (long arm of each carrier on the same side as the wand). Before installing the panels into the carriers, it is important to make sure the carriers are properly aligned.

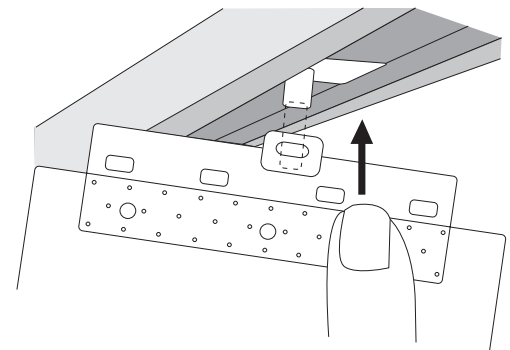
1. Turn the wand until the carriers stop rotating. The carriers should turn together and face the same direction.
2. If some carriers seem to be misaligned, continue turning the wand until you hear the cranking sound of the clutch operating. Keep pulling or turning until the misaligned carriers are automatically adjusted.
3. If a carrier is still facing the wrong direction after following 1 and 2, manually (or with pliers if necessary) rotate it back.



Step 4. Installing the panel hangers

1. Before installing the panels, make sure the carriers are positioned as described above.
2. Push the hangers upwards into the carriers. Ensure they are locked into position by tugging gently.

To remove the hangers, first rotate the carriers so that the blind is in the open position. Push the hanger upwards and slide it towards yourself to remove it from the carrier.



Step 5. Operating your Melody™ Vertical Sheers

View-through and Privacy modes: To see through, rotate the wand(s) to **reveal** the sheer panels. Rotate in the opposite direction to **hide** the sheer panels in Privacy mode.

To draw the panels to one side: Grasp the wand firmly and **glide** the panels across until they stop. Glide in the opposite direction to return the panels to cover the window/door(s) once again.